

HOME CINEMA 5.1CH SPEAKER PACKAGE/ HOME CINEMA 6.1CH SPEAKER PACKAGE NS-P270/NS-P276

SERVICE MANUAL

NS-P270/NS-P276 consists of the NX-E270, NX-C270 and the SW-P270

IMPORTANT NOTICE

This manual has been provided for the use of authorized YAMAHA Retailers and their service personnel. It has been assumed that basic service procedures inherent to the industry, and more specifically YAMAHA Products, are already known and understood by the users, and have therefore not been restated.

WARNING: Failure to follow appropriate service and safety procedures when servicing this product may result in personal injury, destruction of expensive components, and failure of the product to perform as specified. For these reasons, we advise all YAMAHA product owners that any service required should be performed by an authorized YAMAHA Retailer or the appointed service representative.

IMPORTANT: The presentation or sale of this manual to any individual or firm does not constitute authorization, certification or recognition of any applicable technical capabilities, or establish a principle-agent relationship of any form.

The data provided is believed to be accurate and applicable to the unit(s) indicated on the cover. The research, engineering, and service departments of YAMAHA are continually striving to improve YAMAHA products. Modifications are, therefore, inevitable and specifications are subject to change without notice or obligation to retrofit. Should any discrepancy appear to exist, please contact the distributor's Service Division.

WARNING: Static discharges can destroy expensive components. Discharge any static electricity your body may have accumulated by grounding yourself to the ground buss in the unit (heavy gauge black wires connect to this buss).

IMPORTANT: Turn the unit OFF during disassembly and part replacement. Recheck all work before you apply power to the unit.

■ CONTENTS

TO SERVICE PERSONNEL	2
FRONT PANELS	2
REAR PANELS	3-4
SPECIFICATIONS	4-6
SW-P270 INTERNAL VIEW	6
SW-P270 DISASSEMBLY PROCEDURES	7
SW-P270 BLOCK DIAGRAM	8
SW-P270 PRINTED CIRCUIT BOARD	9
SW-P270 SCHEMATIC DIAGRAM	10
REPLACEMENT PARTS LIST	11-15



このサービスマニュアルは、エコマーク認定の再生紙を使用しています。
This Service Manual uses recycled paper.

101000

© 2006 YAMAHA CORPORATION All rights reserved.
This manual is copyrighted by YAMAHA and may not be copied or
redistributed either in print or electronically without permission.




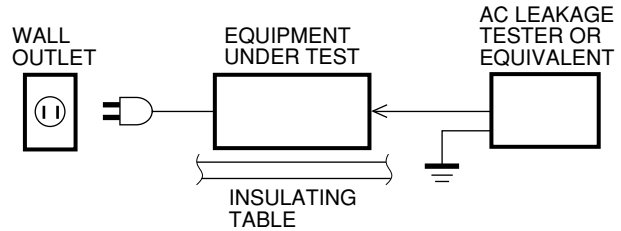
YAMAHA
YAMAHA CORPORATION
P.O.Box 1, Hamamatsu, Japan

UP VIDEO '06. 01

NS-P270
NS-P276

■ TO SERVICE PERSONNEL

1. Critical Components Information
Components having special characteristics are marked  and must be replaced with parts having specifications equal to those originally installed.
2. Leakage Current Measurement (For 120V Models Only)
When service has been completed, it is imperative to verify that all exposed conductive surfaces are properly insulated from supply circuits.
 - Meter impedance should be equivalent to 1500 ohms shunted by 0.15μF.



- Leakage current must not exceed 0.5mA.
- Be sure to test for leakage with the AC plug in both polarities.

WARNING: CHEMICAL CONTENT NOTICE!

The solder used in the production of this product contains LEAD. In addition, other electrical/electronic and/or plastic (where applicable) components may also contain traces of chemicals found by the California Health and Welfare Agency (and possibly other entities) to cause cancer and/or birth defects or other reproductive harm.

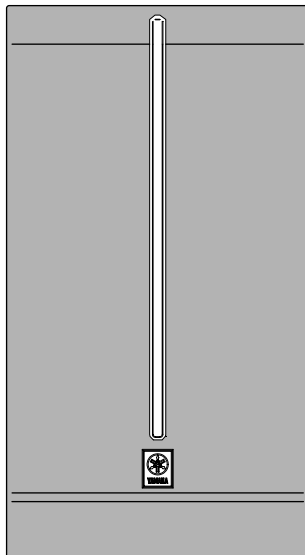
DO NOT PLACE SOLDER, ELECTRICAL/ELECTRONIC OR PLASTIC COMPONENTS IN YOUR MOUTH FOR ANY REASON WHATSOEVER!

Avoid prolonged, unprotected contact between solder and your skin! When soldering, do not inhale solder fumes or expose eyes to solder/flux vapor!

If you come in contact with solder or components located inside the enclosure of this product, wash your hands before handling food.

■ FRONT PANELS

▼ SW-P270



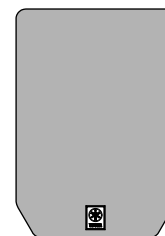
x1

▼ NX-C270



x1

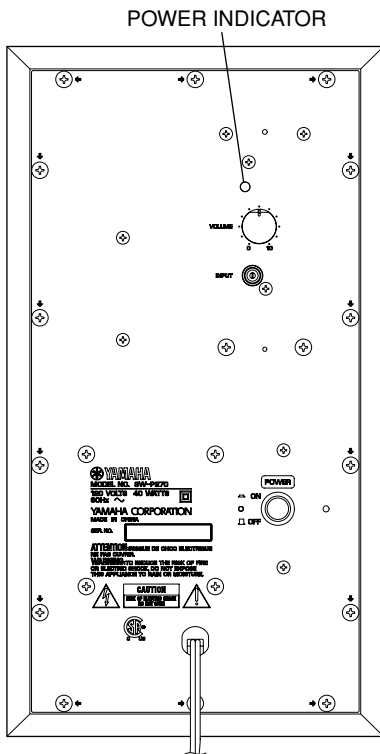
▼ NX-E270



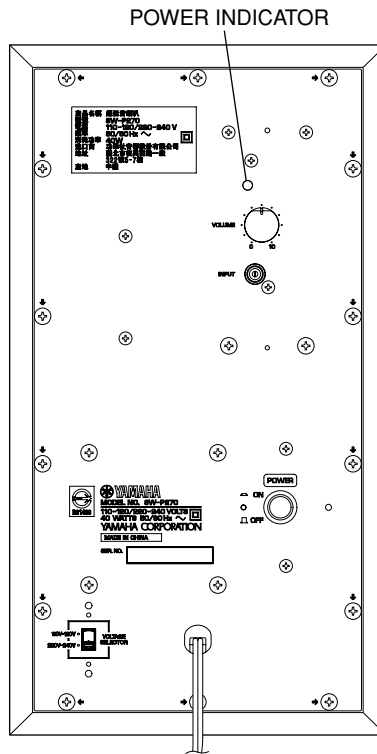
x4 for (NS-P270)
x5 for (NS-P276)

REAR PANELS

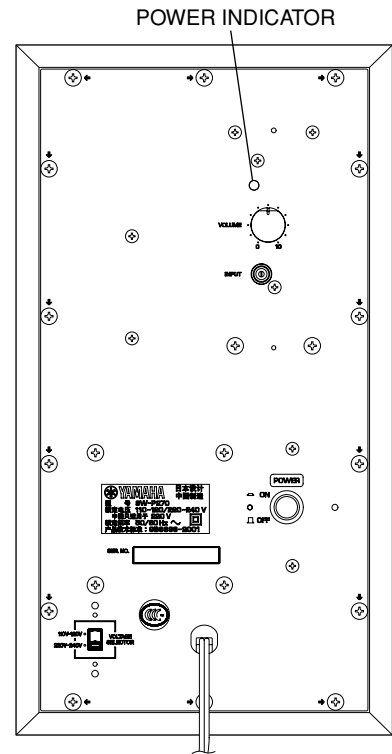
▼ SW-P270 (U, C models)



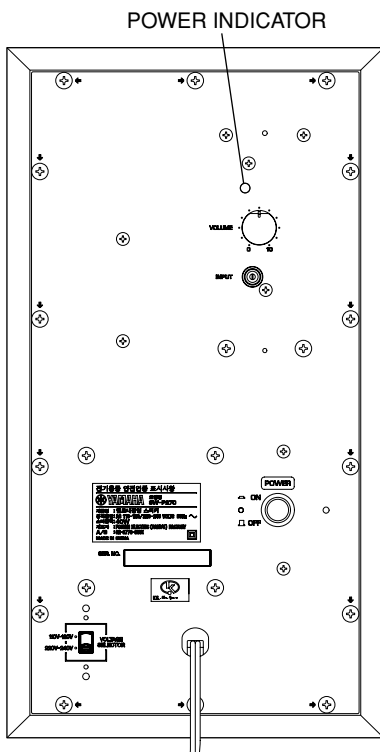
▼ SW-P270 (R model)



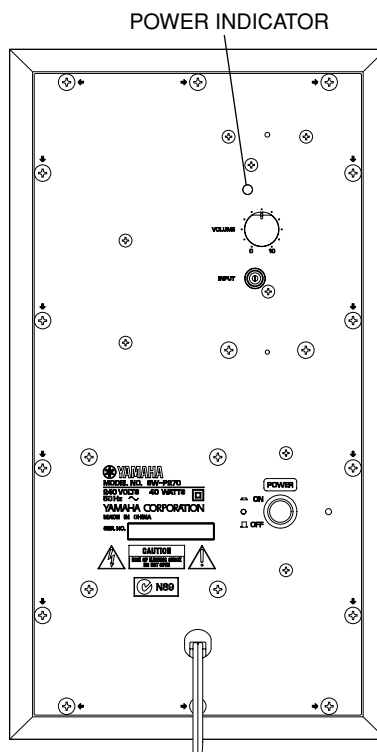
▼ SW-P270 (T model)



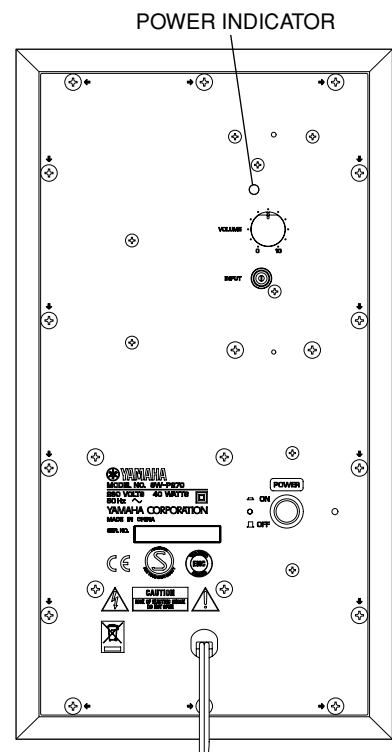
▼ SW-P270 (K model)



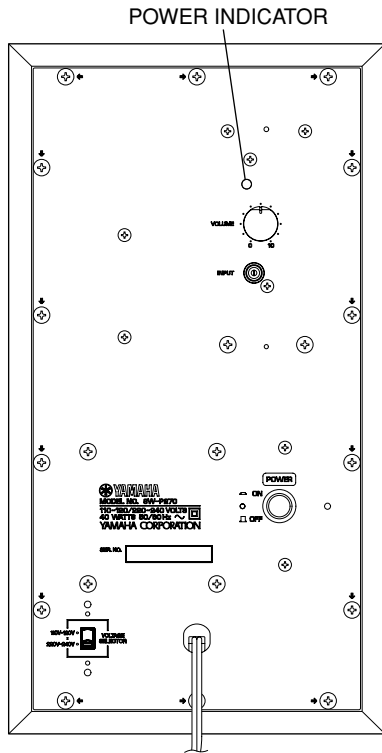
▼ SW-P270 (A model)



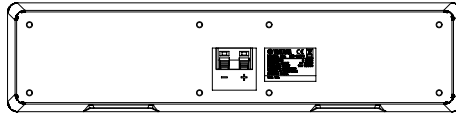
▼ SW-P270 (B, G models)



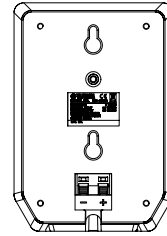
▼ SW-P270 (L model)



▼ NX-C270



▼ NX-E270



■ SPECIFICATIONS

● NX-E270

Type 2-way acoustic suspension
Magnetic shielding type

Driver

Woofer 8 cm (3-1/8") cone x 1

Tweeter 1.9 cm (3/4") balanced dome x 1

Frequency Response 100 Hz to 25 kHz

Impedance 6 ohms

Nominal Input 30 W

Maximum Input 80 W

Sensitivity 85 dB/2.83 V/m

Crossover Frequency 12 kHz

Input Terminal Push type

Dimensions (W x H x D) 105 mm x 151 mm x 113 mm
(4-1/8" x 5-15/16" x 4-7/16")

Weight 0.8 kg (1 lbs. 12 oz.)

Finish

Black color U, C, R, A, B, G, L models

Silver color U, C, R, T, K, A, B, G, L models

Appropriate Speaker Stand SPS-80S

● NX-C270

Type Full-range acoustic suspension
Magnetic shielding type

Driver 5 cm (2") cone x 2

Frequency Response 130 Hz to 20 kHz

Impedance 6 ohms

Nominal Input 30 W

Maximum Input 100 W

Sensitivity 85 dB/2.83 V/m

Input Terminal Push type

Dimensions (W x H x D) 300 mm x 72 mm x 113 mm
(11-13/16" x 2-13/16" x 4-7/16")

Weight 0.9 kg (2 lbs.)

Finish

Black color U, C, R, A, B, G, L models

Silver color U, C, R, T, K, A, B, G, L models

● **SW-P270**

Type Advanced Yamaha Active Servo Technology
Magnetic shielding type

Output Power 50 W (100 Hz, 5 ohms , 10 % THD)

Dynamic Power 100 W, 5 ohms

Input Impedance INPUT (PJ): 12 k-ohms

Frequency Response 30 Hz to 200 Hz

Driver

Woofer 16 cm (6-5/16") cone x 1

Input Section RCA pin jack

Operation Section Power switch, Volume control,
Power indicator

Power Supply

U, C models AC 120 V, 60 Hz

R, T, K, L models AC 110–120/220–240 V, 50/60 Hz

A model AC 240 V, 50 Hz

B, G models AC 230 V, 50 Hz

Power Consumption

U, C, R, T, K, A, B, G, L models 40 W

Dimensions (W x H x D) 200 mm x 365 mm x 370 mm
(7-7/8" x 14-3/8" x 14-9/16")

Weight 8.5 kg (18 lbs. 12 oz.)

Finish

Black color U, C, R, A, B, G, L models

Silver color U, C, R, T, K, A, B, G, L models

● **Accessories**

NS-P270 Subwoofer cable (3m) x 1
Nonskid pad x 4 (for SW-P270)

Speaker cable (10 m) x 2

Speaker cable (4 m) x 3

Nonskid pad x 16 (for NX-E270)

Fastener x 2 (for NX-C270)

NS-P276 Subwoofer cable (3m) x 1

Nonskid pad x 4 (for SW-P270)

Speaker cable (10 m) x 3

Speaker cable (4 m) x 3


Nonskid pad x 24 (for NX-E270)

Fastener x 2 (for NX-C270)

* Specifications subject to change without notice.

- U *USA model*
- C *Canadian model*
- R *General model*
- T *Chinese model*
- K *Korean model*

- A *Australian model*
- B *British model*
- G *European model*
- L *Singapore model*

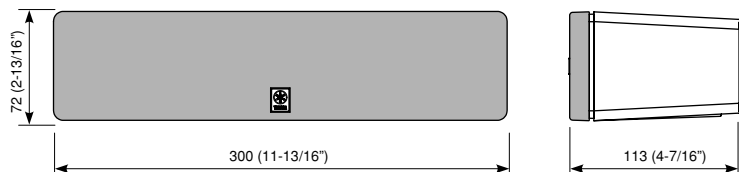


Advanced YST

Advanced Yamaha Active Servo Technology is a unique system to let the speaker unit have a perfectly linear motion by the speaker and amplifier combination.

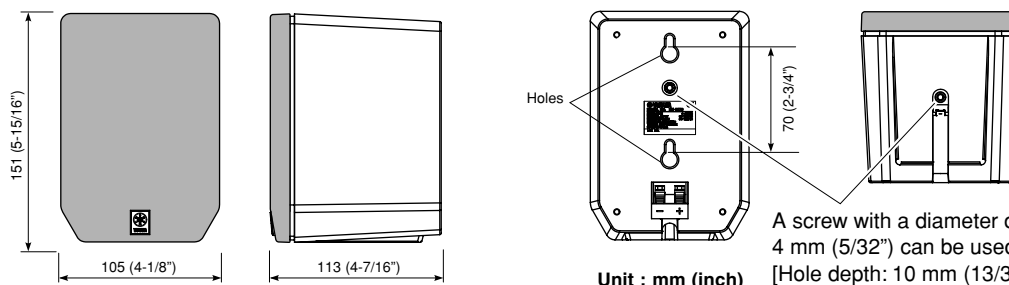
● **DIMENSIONS**

▼ **NX-C270**



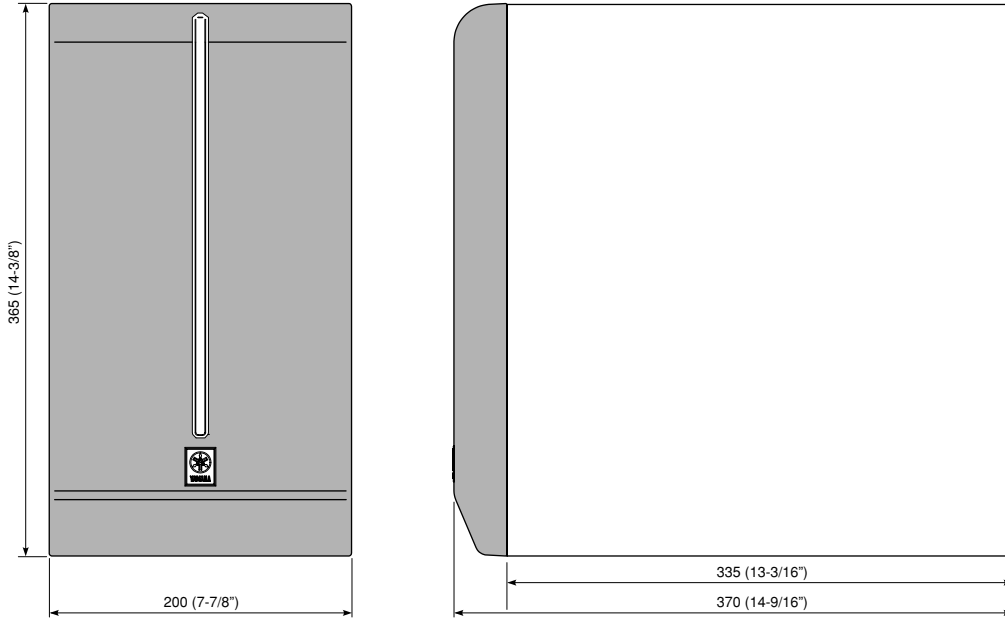
Unit : mm (inch)

▼ **NX-E270**



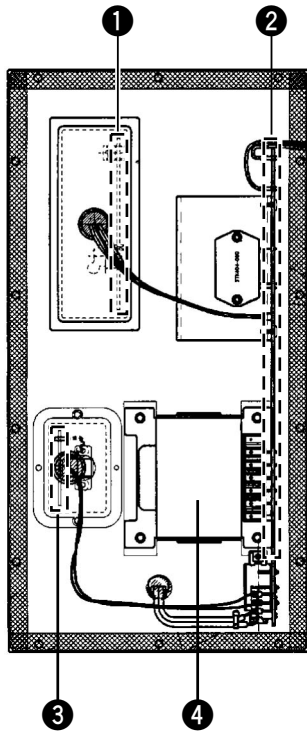
Unit : mm (inch)

▼ SW-P270



Unit : mm (inch)

■ SW-P270 INTERNAL VIEW



- ① MAIN (2) P.C.B.
- ② MAIN (1) P.C.B.
- ③ MAIN (3) P.C.B.
- ④ POWER TRANSFORMER

■ SW-P270 DISASSEMBLY PROCEDURES

(Remove parts in disassembly order as numbered.)

Disconnect the power cable from the AC outlet.

1. Removal of Front Grille Ass'y

The Front Grille Ass'y is fixed to the cabinet with dowels at 6 locations. As a flatblade screwdriver is used for removal, use special care not to cause damage to the cabinet Ass'y.

- a. Using the flatblade screwdriver inserted in the gap between the Front Grille Ass'y and the cabinet Ass'y (bottom side first), push up the Front Grille Ass'y (Fig.1).
- b. Remove the Front Grille Ass'y by lifting a metalblade up (Fig.1).

* *When installing the Front Grille Ass'y, apply quick-drying bond to the dowels and then fit them into dowel holes for secure installation. (The Front Grille Ass'y will come off easily if its dowels are fitted into dowel holes only.)*

2. Removal of Rear Panel Ass'y

Remove 14 screws (①) (Fig.2).

* *Arrow marks (⇒) are printed to identify the screws to be removed.*

* *When assembling the Rear Panel Ass'y, check to ensure that the packing is not damaged so as to prevent air leakage from occurring.*

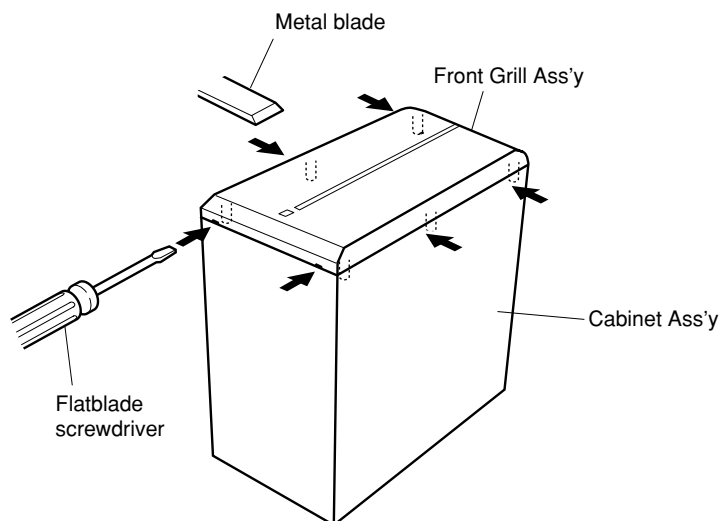


Fig.1

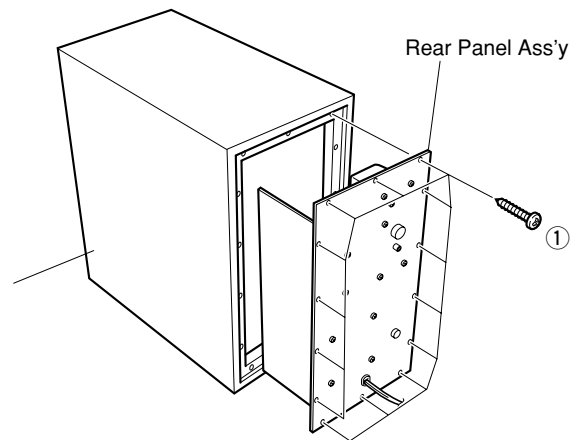
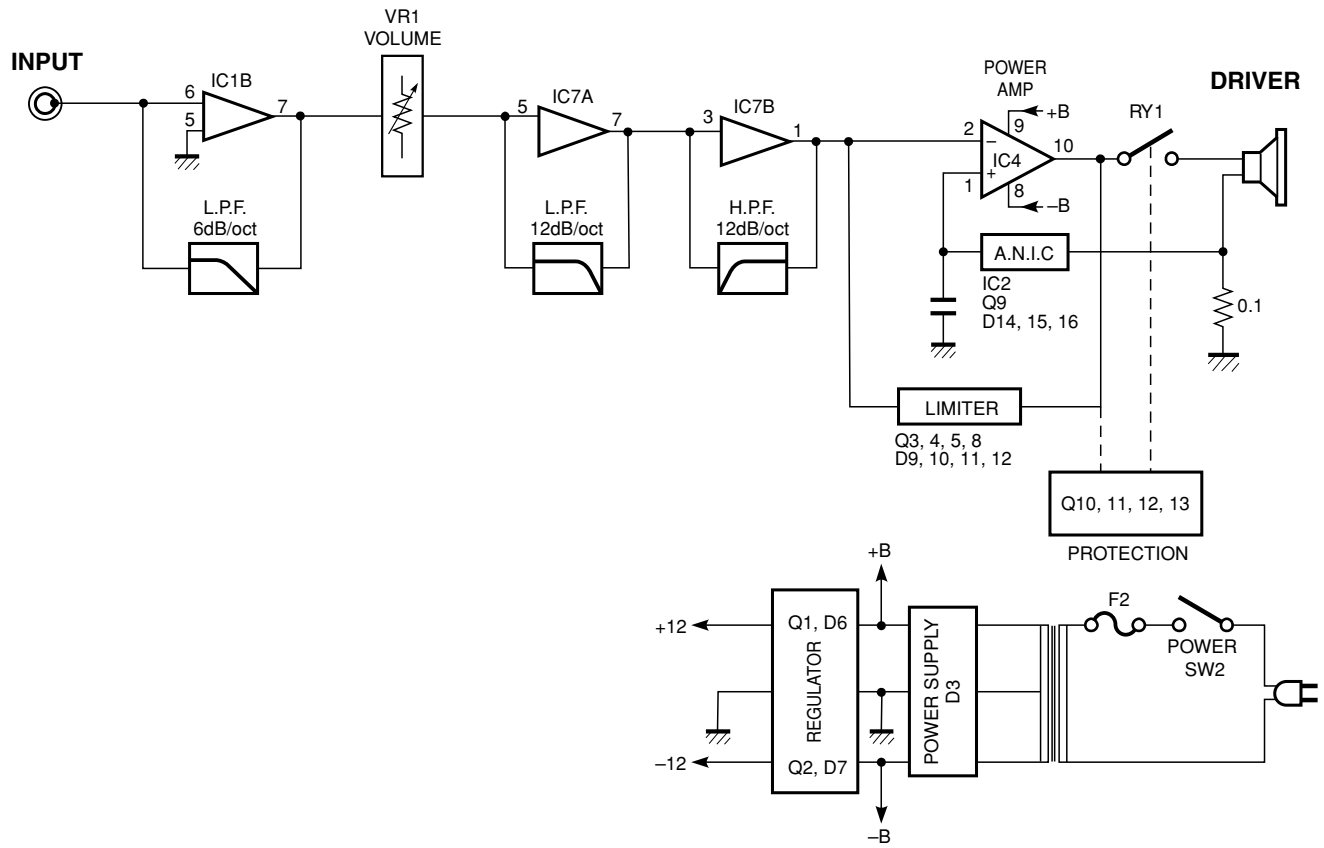


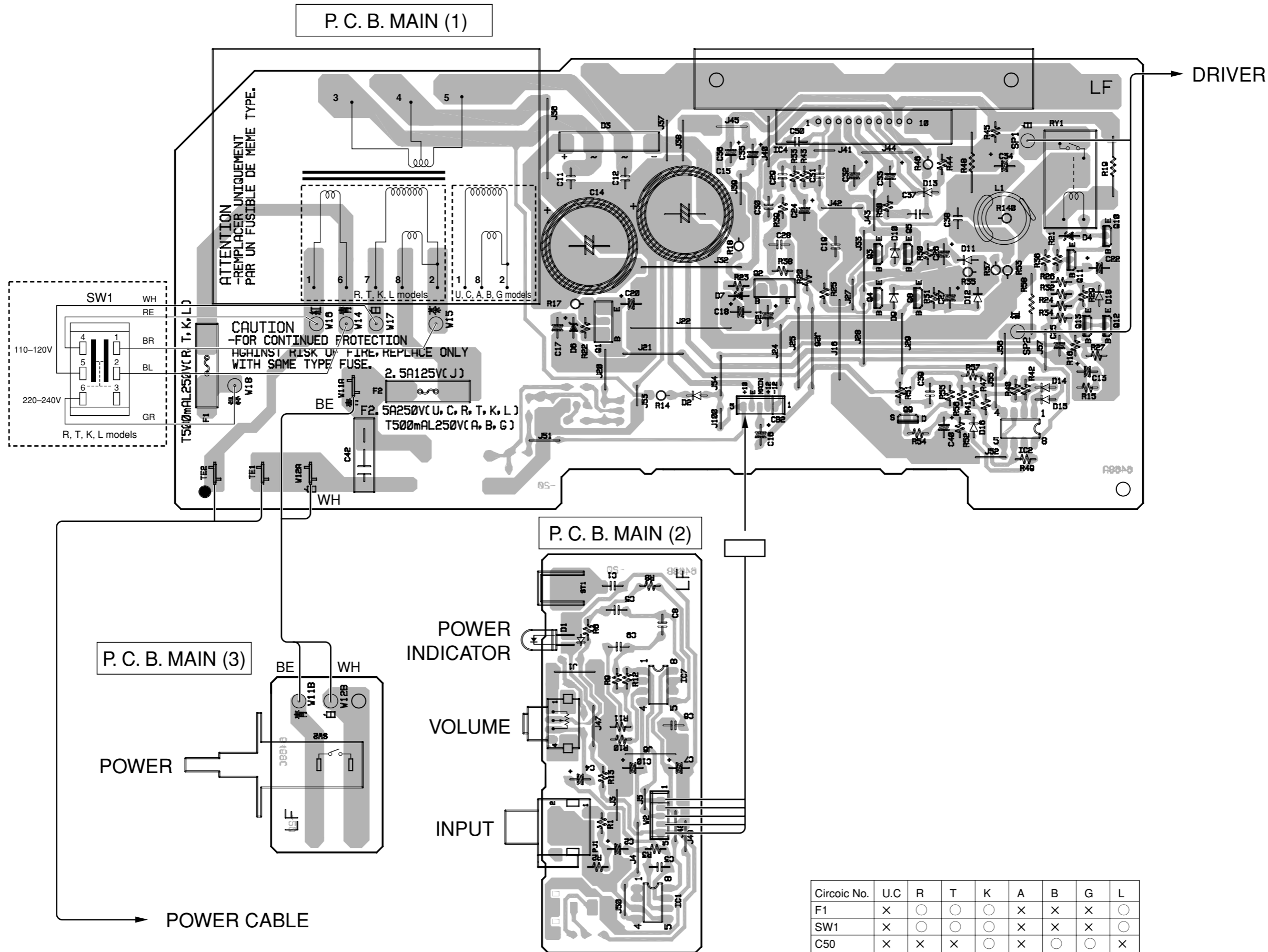
Fig.2

■ SW-P270 BLOCK DIAGRAM



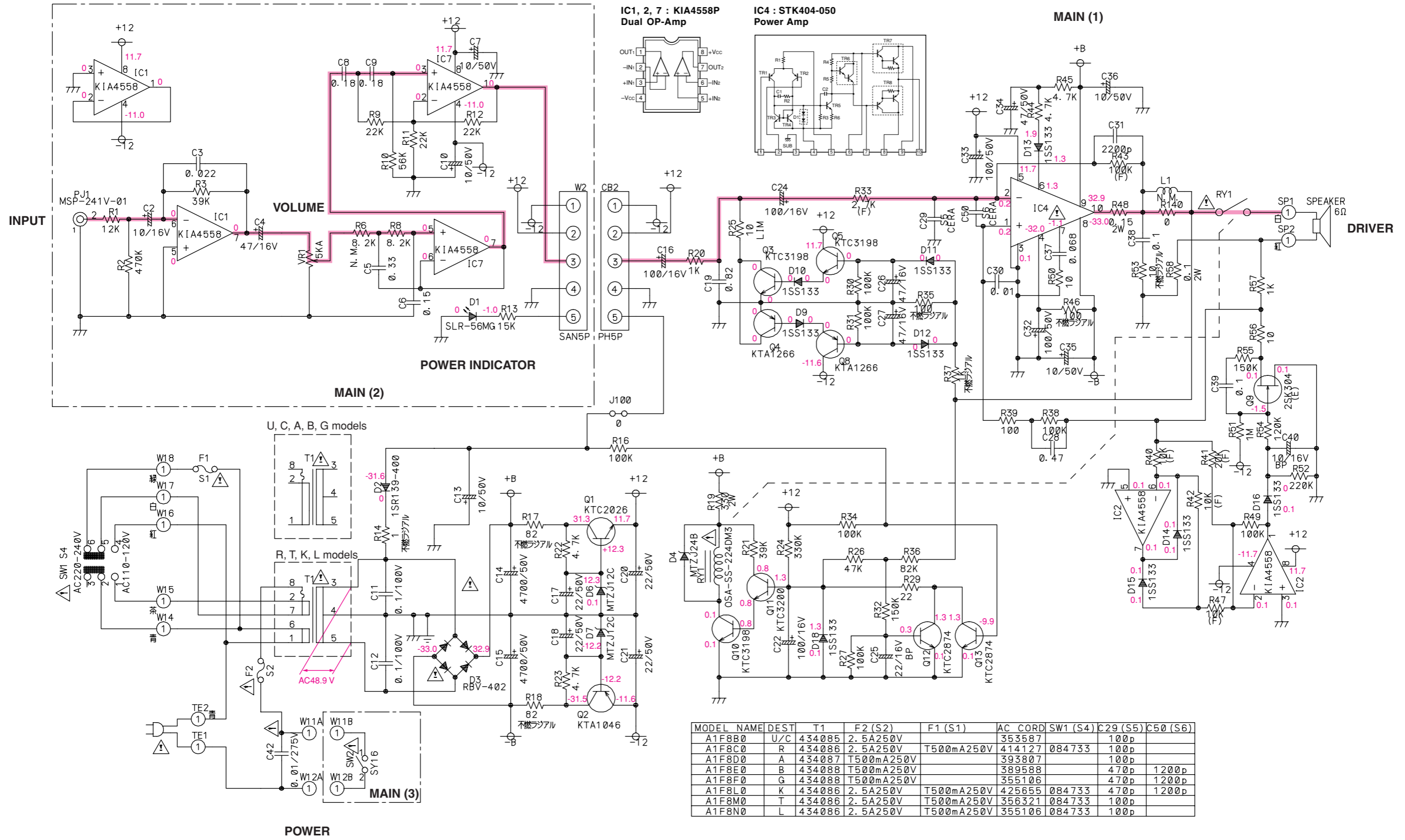
SW-P270 PRINTED CIRCUIT BOARD

1
2
3
4
5
6



Circuic No.	U.C	R	T	K	A	B	G	L
F1	X	○	○	○	X	X	X	○
SW1	X	○	○	○	X	X	X	○
C50	X	X	X	○	X	○	○	X

SW-P270 SCHEMATIC DIAGRAM



* All voltages are measured with a 10MΩ/V DC electronic volt meter.
 * Components having special characteristics are marked Δ and must be replaced with parts having specifications equal to those originally installed.
 * Schematic diagram is subject to change without notice.

■ REPLACEMENT PARTS LIST

● ELECTRICAL REPLACEMENT PARTS LIST

■ WARNING

- Components having special characteristics are marked \triangle and must be replaced with parts having specifications equal to those originally installed.

ABBREVIATIONS IN THIS LIST ARE AS FOLLOWS :

C.A.EL.CHP	: CHIP ALUMI. ELECTROLYTIC CAP	L.DTCT	: LIGHT DETECTING MODULE
C.CE	: CERAMIC CAP	L.EMIT	: LIGHT EMITTING MODULE
C.CE.ARRAY	: CERAMIC CAP ARRAY	LED.DSPLY	: LED DISPLAY
C.CE.CHP	: CHIP CERAMIC CAP	LED.INFRD	: LED, INFRARED
C.CE.ML	: MULTILAYER CERAMIC CAP	MODUL.RF	: MODULATOR, RF
C.CE.M.CHP	: CHIP MULTILAYER CERAMIC CAP	PHOT.CPL	: PHOTO COUPLER
C.CE.SAFTY	: RECOGNIZED CERAMIC CAP	PHOT.INTR	: PHOTO INTERRUPTER
C.CE.TUBLR	: CERAMIC TUBULAR CAP	PHOT.RFLCT	: PHOTO REFLECTOR
C.CE.SMI	: SEMI CONDUCTIVE CERAMIC CAP	PIN.TEST	: PIN, TEST POINT
C.EL	: ELECTROLYTIC CAP	PLST.RIVET	: PLASTIC RIVET
C.MICA	: MICA CAP	R.ARRAY	: RESISTOR ARRAY
C.ML.FLM	: MULTILAYER FILM CAP	R.CAR	: CARBON RESISTOR
C.MP	: METALLIZED PAPER CAP	R.CAR.CHP	: CHIP RESISTOR
C.MYLAR	: MYLAR FILM CAP	R.CAR.FP	: FLAME PROOF CARBON RESISTOR
C.MYLAR.ML	: MULTILAYER MYLAR FILM CAP	R.FUS	: FUSABLE RESISTOR
C.PAPER	: PAPER CAPACITOR	R.MTL.CHP	: CHIP METAL FILM RESISTOR
C.PLS	: POLYSTYRENE FILM CAP	R.MTL.FLM	: METAL FILM RESISTOR
C.POL	: POLYESTER FILM CAP	R.MTL.OXD	: METAL OXIDE FILM RESISTOR
C.POLY	: POLYETHYLENE FILM CAP	R.MTL.PLAT	: METAL PLATE RESISTOR
C.PP	: POLYPROPYLENE FILM CAP	RSNR.CE	: CERAMIC RESONATOR
C.TNTL	: TANTALUM CAP	RSNR.CRY	: CRYSTAL RESONATOR
C.TNTL.CHP	: CHIP TANTALUM CAP	R.TW.CEM	: TWIN CEMENT FIXED RESISTOR
C.TRIM	: TRIMMER CAP	R.WW	: WIRE WOUND RESISTOR
CN	: CONNECTOR	SCR.BND.HD	: BIND HEAD B-TITE SCREW
CN.BS.PIN	: CONNECTOR, BASE PIN	SCR.BW.HD	: BW HEAD TAPPING SCREW
CN.CANNON	: CONNECTOR, CANNON	SCR.CUP	: CUP TITE SCREW
CN.DIN	: CONNECTOR, DIN	SCR.TERM	: SCREW TERMINAL
CN.FLAT	: CONNECTOR, FLAT CABLE	SCR.TR	: SCREW, TRANSISTOR
CN.POST	: CONNECTOR, BASE POST	SUPRT.PCB	: SUPPORT, P.C.B.
COIL.MX.AM	: COIL, AM MIX	SURG.PRTCT	: SURGE PROTECTOR
COIL.AT.FM	: COIL, FM ANTENNA	SW.TACT	: TACT SWITCH
COIL.DT.FM	: COIL, FM DETECT	SW.LEAF	: LEAF SWITCH
COIL.MX.FM	: COIL, FM MIX	SW.LEVER	: LEVER SWITCH
COIL.OUTPT	: OUTPUT COIL	SW.MICRO	: MICRO SWITCH
DIOD.ARRAY	: DIODE ARRAY	SW.PUSH	: PUSH SWITCH
DIODE.BRG	: DIODE BRIDGE	SW.RT.ENC	: ROTARY ENCODER
DIODE.CHP	: CHIP DIODE	SW.RT.MTR	: ROTARY SWITCH WITH MOTOR
DIODE.SHOT	: SCHOTTKY BARRIER DIODE	SW.RT	: ROTARY SWITCH
DIODE.VAR	: VARACTOR DIODE	SW.SLIDE	: SLIDE SWITCH
DIOD.Z.CHP	: CHIP ZENER DIODE	TERM.SP	: SPEAKER TERMINAL
DIODE.ZENR	: ZENER DIODE	TERM.WRAP	: WRAPPING TERMINAL
DSCR.CE	: CERAMIC DISCRIMINATOR	THRMST.CHP	: CHIP THERMISTOR
FER.BEAD	: FERRITE BEADS	TR.CHP	: CHIP TRANSISTOR
FER.CORE	: FERRITE CORE	TR.DGT	: DIGITAL TRANSISTOR
FET.CHP	: CHIP FET	TR.DGT.CHP	: CHIP DIGITAL TRANSISTOR
FL.DSPLY	: FLUORESCENT DISPLAY	TRANS	: TRANSFORMER
FLTR.CE	: CERAMIC FILTER	TRANS.PULS	: PULSE TRANSFORMER
FLTR.COMB	: COMB FILTER MODULE	TRANS.PWR	: POWER TRANSFORMER ASS'y
FLTR.LC.RF	: LC FILTER, EMI	TUNER.AM	: TUNER PACK, AM
GND.MTL	: GROUND PLATE	TUNER.FM	: TUNER PACK, FM
GND.TERM	: GROUND TERMINAL	TUNER.PK	: FRONT-END TUNER PACK
HOLDER.FUS	: FUSE HOLDER	VR	: ROTARY POTENTIOMETER
IC.PRTCT	: IC PROTECTOR	VR.MTR	: POTENTIOMETER WITH MOTOR
JUMPER.CN	: JUMPER CONNECTOR	VR.SW	: POTENTIOMETER WITH ROTARY SW
JUMPER.TST	: JUMPER, TEST POINT	VR.SLIDE	: SLIDE POTENTIOMETER
		VR.TRIM	: TRIMMER POTENTIOMETER

SW-P270 P.C.B. MAIN

Ref. No.	Part No.	Description	Remarks	Markets		
*	AAX76120	P.C.B.	MAIN	435321	UC	
*	AAX76130	P.C.B.	MAIN	435322	RTL	
*	AAX76640	P.C.B.	MAIN	438372	K	
*	AAX76140	P.C.B.	MAIN	435323	A	
	AAX76630	P.C.B.	MAIN	438371	BG	
	CB2	AAX32010	CN	B05B-PH-K-S	081702	
	CB4-5	WC050700	CLIP.FUSE	EYF-52BCY	404188	
	CB6-7	WC050700	CLIP.FUSE	EYF-52BCY	404188	RTKL
	C1	FG644100	C.CE	0.01uF 50V	065452	
	C2	UR837100	C.EL	10uF 16V	353104	
	C3	UA654220	C.MYLAR	0.022uF 50V J	065062	
	C4	UR837470	C.EL	47uF 16V	338563	
	C5	UA655330	C.MYLAR	0.33uF 50V J	352299	
	C6	UA655150	C.MYLAR	0.15uF 50V J	352292	
	C7	UR867100	C.EL	10uF 50V	338565	
	C8	UA655180	C.MYLAR	0.18uF 50V J	352293	
	C9	UA655180	C.MYLAR	0.18uF 50V J	352293	
	C10	UR867100	C.EL	10uF 50V	338565	
	C11-12	VR325400	C.MYLAR	0.1uF 100V	065009	
	C13	UR867100	C.EL	10uF 50V	407785	
	C14-15	VG892500	C.EL	4700uF 50V	414414	
	C16	UR838100	C.EL	100uF 16V	353103	
	C17-18	UR867220	C.EL	22uF 50V	356201	
	C19	UA655820	C.MYLAR	0.82uF 50V J	352307	
	C20-21	UR867220	C.EL	22uF 50V	356201	
	C22	UR838100	C.EL	100uF 16V	353103	
	C24	UR838100	C.EL	100uF 16V	353103	
*	C25	AAX76110	C.EL.BP	22uF 16V	066625	
	C26-27	UR837470	C.EL	47uF 16V	338563	
	C28	UA655470	C.MYLAR	0.47uF 50V J	352302	
	C29	AAX09530	C.CE	100pF 50V	065382	UCRTAL
*	C29	AAX76230	C.CE	470pF 50V	065425	KBG
	C30	UA654100	C.MYLAR	0.01uF 50V	352288	
	C31	AAX42490	C.POL	2200pF 50V	065055	
	C32-33	UR868100	C.EL	100uF 50V	353102	
	C34	UR867470	C.EL	47uF 50V	356202	
	C35-36	UR867100	C.EL	10uF 50V	338565	
	C37	UA654680	C.MYLAR	0.068uF 50V	352304	
	C38-39	UA655100	C.MYLAR	0.1uF 50V	352289	
	C40	VQ529900	C.EL.BP	10uF 16V	066606	
△	C42	AAX72440	C.CE.SAFETY	0.01uF 275V	360376	
*	C50	AAX76240	C.CE	1200pF 50V	438180	KBG
	D1	AAX42920	LED(gr)	GR SLR-56MG	069930	
	D2	VU264100	DIODE	1SR139.400	069536	
△	D3	VG971500	DIODE.BRG	RBV-402 4A 200V	069612	
	D4	VG442500	DIODE.ZENR	MTZJ24B	069220	
	D6	VG440300	DIODE.ZENR	MTZJ12C 12V	069172	
	D7	VG440300	DIODE.ZENR	MTZJ12C 12V	069172	
	D9	iF004600	DIODE	1SS133	069460	
	D10-16	iF004600	DIODE	1SS133	069460	
	D18	iF004600	DIODE	1SS133	069460	
△	F1	AAX33350	FUSE	500mA 250V	357454	RTKL
△	F2	AAX33340	FUSE	2.5A 250V	357453	UCRTKL

* New Parts

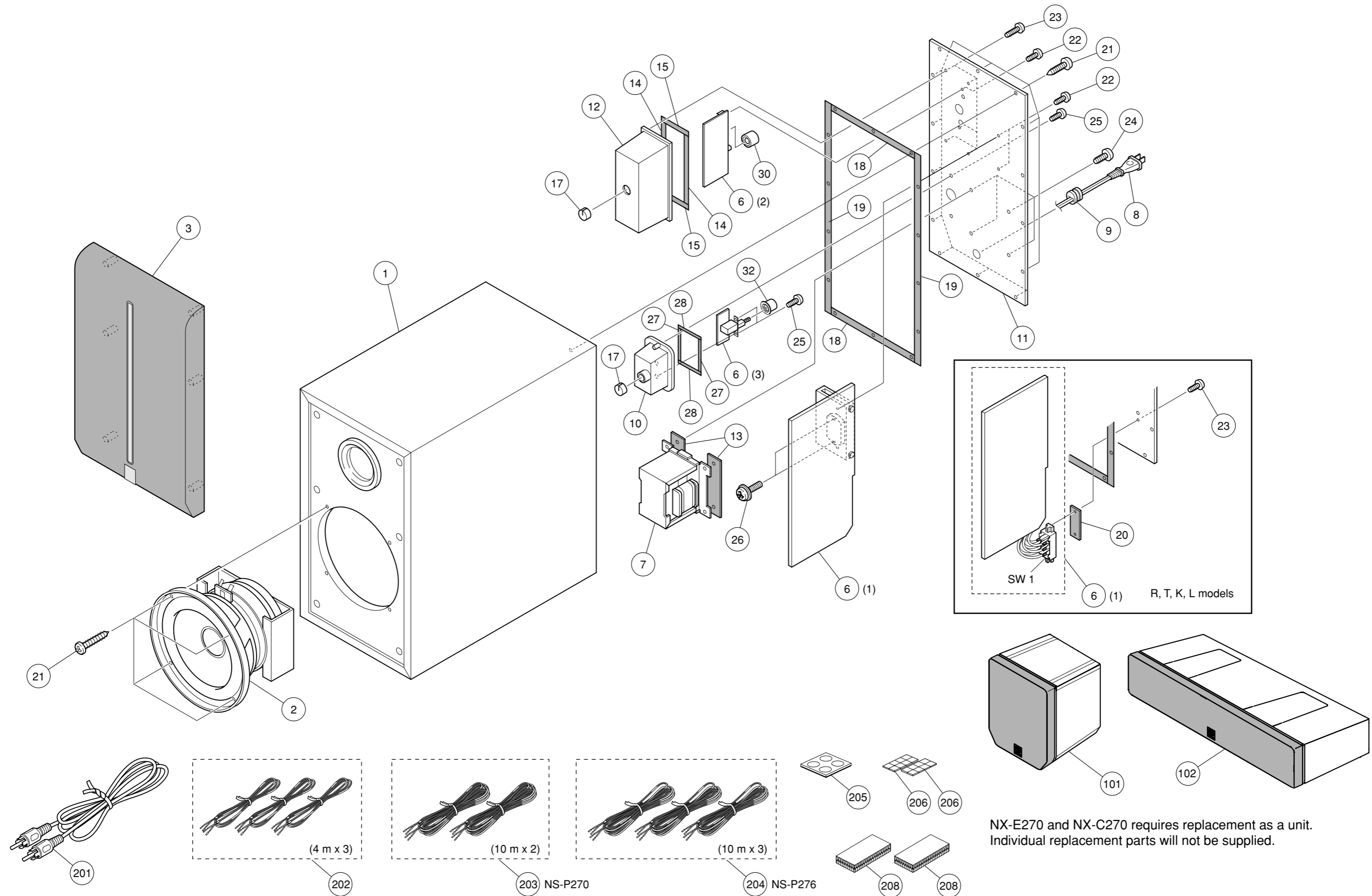
SW-P270 P.C.B. MAIN

Ref. No.	Part No.	Description	Remarks	Markets	
F2	AAX33350	FUSE	500mA 250V	357454	ABG
IC1-2	AAX41390	IC	K1A4558P	353033	
△ IC4	AAX13490	IC	STK404-050 AF	058246	
IC7	AAX41390	IC	K1A4558P	353033	
PJ1	WC871000	JACK	1P MSP-241V-01N	396638	
Q1	AAX51690	TR	KTC2026 Y,GR	362783	
Q2	AAX51680	TR	KTA1046 Y,GR	362782	
Q3	AAX41650	TR	KTC3198GR AT	051818	
Q4	AAX41660	TR	KTA1266GR AT	051819	
Q5	AAX41650	TR	KTC3198GR AT	051818	
Q8	AAX41660	TR	KTA1266GR AT	051819	
Q9	AAX09180	FET	2SK304 E	051061	
Q10	AAX41650	TR	KTC3198GR AT	051818	
Q11	AAX51670	TR	KTC3200 GR,BL	358033	
Q12-13	AAX41640	TR	KTC2874 AB AT	367222	
R14	AAX11950	R. CAR. FP	1Ω 1/4W	084665	
R17-18	HV454820	R. CAR. FP	82Ω 1/4W	044149	
* R19	AAX76420	R. MTL. OXD	330Ω 2W	358070	
R33	VH005800	R. MTL. FLM	2.7KΩ 1/4W	068203	
R35	AAX11860	R. CAR. FP	100Ω 1/4W	044153	
R37	AAX11880	R. CAR. FP	1KΩ 1/4W	044454	
R40	VP441400	R. MTL. FLM	10KΩ 1/4W	068279	
R41	AAX09780	R. MTL. FLM	20KΩ 1/4W	068187	
R42	VP441400	R. MTL. FLM	10KΩ 1/4W	068279	
R43	VH009600	R. MTL. FLM	100KΩ 1/4W	068149	
R46	AAX11860	R. CAR. FP	100Ω 1/4W	044153	
R47	VP441400	R. MTL. FLM	10KΩ 1/4W	068279	
* R48	AAX76410	R. MTL. OXD	0.15Ω 2W	356302	
R53	AAX11870	R. CAR. FP	10Ω 1/4W	044452	
* R58	AAX76400	R. MTL. OXD	0.1Ω 2W	356301	
△ RY1	VU161600	RELAY	OSA-SS-224DM3	079766	
△ SW1	VE962600	SW. SLIDE	SDKGA4	084733	RTKL
△ SW2	AAX31140	SW. POWER	SY16-52-4(U99S2)/T	354986	
TE1-2	XX707320	PIN	IPS-5007	064821	
VR1	AAX53790	VR	5KA RK11K1120D11	389958	
	BB071360	TERM	EARTH	055265	

* New Parts

NS-P270/NS-P276

● EXPLODED VIEW



NX-E270 and NX-C270 requires replacement as a unit. Individual replacement parts will not be supplied.

● REPLACEMENT PARTS LIST

Ref. No.	Part No.	Description	Remarks	Markets
* 1	AAX76160	CABINET ASS'Y	BL	433255
* 1	AAX76150	CABINET ASS'Y	SI	433254
2	X4329B00	DRIVER WOOFER	16cm 6Ω	411823
* 3	AAX76280	FRONT GRILLE ASS'Y	BL	434713
* 3	AAX76270	FRONT GRILLE ASS'Y	SI	434712
* 6	AAX76120	P.C.B. ASS'Y	MAIN	435321
* 6	AAX76130	P.C.B. ASS'Y	MAIN	435322
6	AAX76640	P.C.B. ASS'Y	MAIN	438372
* 6	AAX76140	P.C.B. ASS'Y	MAIN	435323
* 6	AAX76630	P.C.B. ASS'Y	MAIN	438371
△ * 7	AAX76360	POWER TRANSFORMER		434085
△ * 7	AAX76370	POWER TRANSFORMER		434086
△ * 7	AAX76380	POWER TRANSFORMER		434087
△ * 7	AAX76390	POWER TRANSFORMER		434088
△ 8	V8366300	POWER CABLE	2m	353587
△ 8	AAX72890	POWER CABLE	2m	414127
△ * 8	AAX59000	POWER CABLE	2m	356321
△ * 8	AAX72900	POWER CABLE	2m	425655
△ 8	AAX72870	POWER CABLE	2m	393807
△ 8	AAX72860	POWER CABLE	2m	389588
△ 8	V8366400	POWER CABLE	2m	355106
9	CB072750	CORD STOPPER	SR-4N-4	078569
10	AAX31050	COVER		352528
* 11	AAX76290	REAR PANEL		435577
* 11	AAX76300	REAR PANEL		435578
* 11	AAX76310	REAR PANEL		435579
* 11	AAX76320	REAR PANEL		435580
12	AAX51750	MOLD COVER		331822
13	AAX51530	CUSHION	18x90	363196
14	AAX51520	CUSHION	3x120	331840
15	AAX51510	CUSHION	3x50	078825
17	AAX31970	BUSH		331850
18	AAX31980	CUSHION	170x10x2	356049
19	AAX31990	CUSHION	335x10x2	356050
20	AAX13660	CUSHION SWITCH		084851
21	AAX72730	BIND HEAD TAPPING SCREW	4x20 MFZN2BL	405824
22	AAX72680	BIND HEAD B-TIGHT SCREW	3x8 MFZN2BL	414198
23	EP600140	BIND HEAD B-TIGHT SCREW	3x10 MFZN2BL	410798
24	AAX72670	BIND HEAD B-TIGHT SCREW	4x8 MFZN2BL	414197
25	AAX72720	BIND HEAD P-TIGHT SCREW	3x12 MFZN2BL	417372
26	AAX51590	SEMS BIND HEAD B-TIGHT SCREW	3x16 MFZN2Y	353187
* 27	AAX76170	CUSHION	8x60	359807
28	AAX31130	CUSHION	5x55	335431
30	AAX13600	VOLUME KNOB		044179
32	AAX31020	BUTTON POWER		352529
* 101	AAX76190	SATELLITE SPEAKER UNIT	NX-E270 BL	435025
* 101	AAX76180	SATELLITE SPEAKER UNIT	NX-E270 SI	435024
* 102	AAX76260	CENTER SPEAKER UNIT	NX-C270 BL	435023
* 102	AAX76250	CENTER SPEAKER UNIT	NX-C270 SI	435022

* New Parts

Ref. No.	Part No.	Description	Remarks	Markets
		ACCESSORIES		
* 201	AAX76200	SUBWOOFER CABLE	1P 3m 1pc	378100
* 202	AAX76210	SPEAKER CABLE ASS'Y	4m 3pcs/set	425687
* 203	AAX75500	SPEAKER CABLE ASS'Y	10m 2pcs/set	425691
* 204	AAX76220	SPEAKER CABLE ASS'Y	10m 3pcs/set	426835
205	V5982400	NONSKID PAD	M25 t2 4pcs/set	353628
206	AAX20410	NONSKID PAD	7x7x1 8pcs/set	333656
208	AAX21240	FASTENER	51.5x39x3.5 1pair	335212

* New Parts

MEMO

NS-P270/NS-P276



YAMAHA

